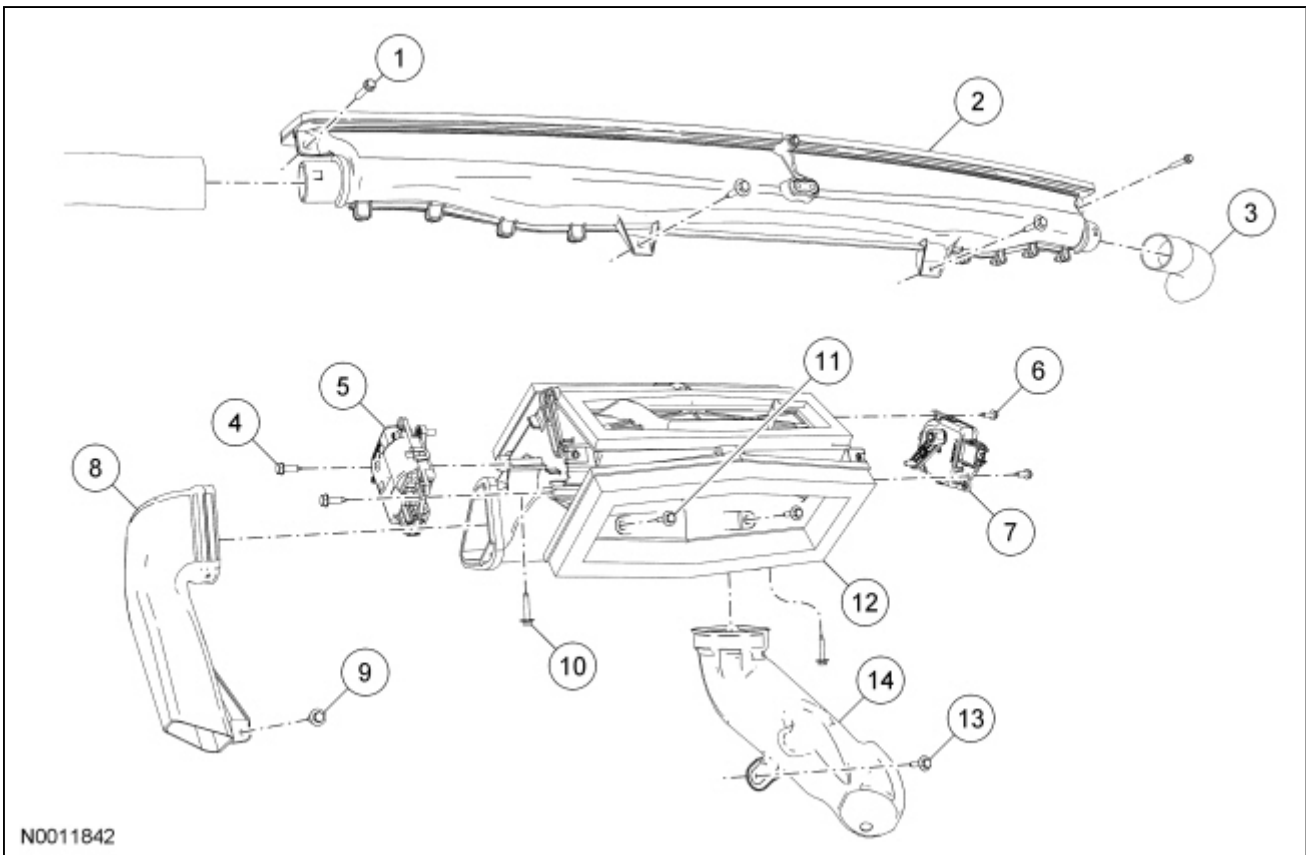


Plenum Chamber



Item	Part Number	Description
1	W710480	Defroster duct screw (4 required)
2	18490	Defroster duct
3	19E630	Demister duct (2 required)
4	W701696	Panel mode door actuator screw (2 required)
5	19E616	Panel mode door actuator
6	W701696	Defrost mode door actuator screw (2 required)
7	19E616	Defrost mode door actuator
8	18C420	RH floor duct
9	W701506	RH floor duct screw
10	W505156	Plenum chamber bolt (2 required)
11	W710506	Plenum chamber screw (2 required)
12	18471	Plenum chamber
13	W710506	LH floor duct screw
14	18C420	LH floor duct

Removal and Installation

1. Remove the instrument panel. For additional information, refer to [Section 501-12](#).
2. Remove the RH floor duct screw and the RH floor duct.

3. Remove the LH floor duct screw and the LH floor duct.
 4. Remove the 4 defroster duct screws.
 5. Detach the 2 demister ducts from the defroster duct.
 6. Remove the defroster duct.
 7. Remove the 2 defrost mode door actuator screws and position the defrost mode door actuator aside.
 8. Remove the 2 panel mode door actuator screws and position the panel mode door actuator aside.
 9. Remove the 2 plenum chamber bolts.
 10. Remove the 2 plenum chamber screws.
 11. Remove the plenum chamber.
 12. To install, reverse the removal procedure.
-